

# W20kR2kIR500-G4.1

Medium intensity + infrared obstacle light for nighttime marking



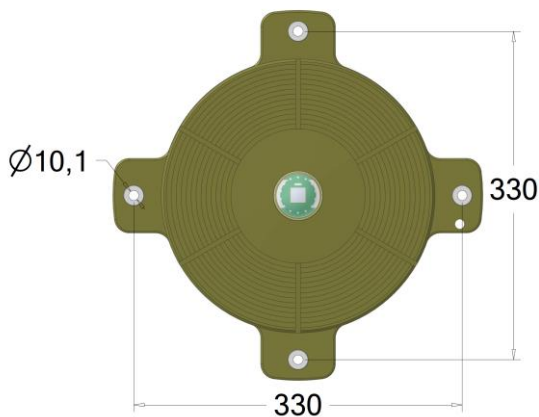
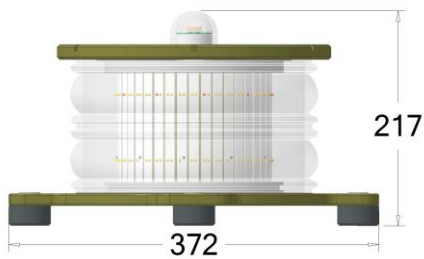
## Obstacle Light W20kR2kIR500-G4.1

For nighttime marking according to:

- 2000 cd ICAO Medium Intensity Obstacle Light Type B
- 2000 cd ICAO Medium Intensity Obstacle Light Type C
- ICAO Medium Intensity Obstacle Light Type A
- IR Medium Intensity Obstacle Light according to TRAFI

The Lanthan obstacle light is characterized by its compact design and robust construction. Its key features include:

- Internal ambient light sensor (VEML7700)
- Build-in GPS
- Capable of firmware updates (FOTA)
- Field-configurable settings



Being the first LED fire supplier in the wind industry, Lanthan provides reliable obstacle lights.

Manufactured by TWE GmbH Trade Wind Energy (part of Lanthan Group).

### Article Allocation

Name / Description	Article-No.
W20kR2kIR500-G4.1	LAN-000888

# W20kR2kIR500-G4.1

Medium intensity + infrared obstacle light for nighttime marking

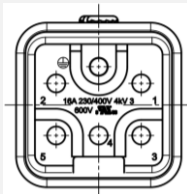


## Technical Data

Nominal Voltage	24 V / 48 V DC
Functional Voltage	19,2 V – 55 V
Ambient temperature	-40° to +55 °C
Power consumption	Peak (600 mW/sr): 20 W Average (600 mW/sr): 5 W
Max on current	7,69 A
Service lifetime	Min. 10 years
Optical characteristics white	• 20.000 cd Medium Intensity Obstacle Light A (CIAO)
Optical characteristics red	• 2.000 cd Medium Intensity Obstacle Light B & C (CIAO)
Optical characteristics infrared	• 500 mW/sr IR-MIOL (Trafi)
Colour coordinates / wavelength	according to ICAO; peak wavelength infrared: 850nm
Timing	GPS based
Enclosure	Marine grade aluminum (AlMg3) EN AW-5754, anodized to 25 µm
Lens	Clear acrylic, UV-resistant
Bare weight	11 kg
Pressure compensation	Gore membrane vents
Size	height = 217 mm; diameter = 372 mm
Sealing	EPDM o-rings
IP-class	IP68

## Pin Out

1	Power Supply +24V
2	Power Supply 0 V
3	FE
4	Modbus D1
5	Modbus D0
6	Not connected



## Connector G4.1 Variant

### Han 3A:

Housing	09 37 003 0301
Pin Insert	09 12 005 3001
Pins	09 33 000 6102

### Recommended Cable Connector:

Housing	1x 19 37 003 1640
Pin Insert	1x 09 12 005 3101
Pins	5x 09 33 000 6202

## Additional Information:

- System Integration Manual